

Series 2 PowerPole

Double sided PowerPole

with 4 hinged lids and 14 ESSB1WH outlets (NPPE36001441)

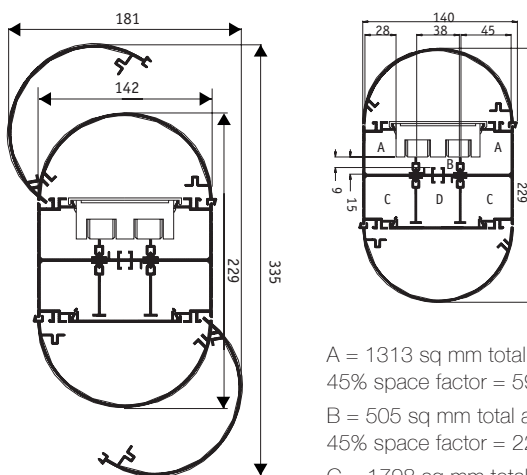
Code	Description	Quantity
FF	NPPMB3600 Square PowerPole base 3600mm long	1
A	NPPHLA/W# Hinged lid assembly	4
P	NPPCL1720 Clip on lid 1720mm long	2
Q	NPPCL50 Clip on lid 50mm long	2
R	NPPCL200 Clip on lid 200mm long	2
J	NPPUT Hinged lid upper trim	4
K	NPPLT Hinged lid lower trim	4
GG	NPPTC3 Oval top sliding cover	1
HH	NPPBF5 Oval base foot	1
B	NPPBH1 Bulkhead	8
II	PPBF3 Base foot (galvanised)	2
E	NPPCC1 Cable clip	8
C	ESSB1 Single gang box	14
D	ES1 Spacing cover	12
F	NPPH1 Stainless steel hinges	8
I	PPSN1 Sliding nut	3
H	NPPLH1 Disc latch	12
M	NPPMC1 Magnet catch	12
G	NPPLBS1 Hinged lid bonding strap	4
LBS2	Clip on lid bonding strap	6
L	PPBT1 16mm bonding terminal assembly	1
S	*PHAS1 Top adjusting slide 250mm long	1
T	NPPFB2 Top fixing bracket	1
W	MDFS100W1630 100mm dividing fillet 1630mm long	4
Y	MDFS50W710 50mm dividing fillet 710mm long	4
Z	MDFS50W200 50mm dividing fillet 200mm long	4
AA	MDFS15W632 15mm dividing fillet 632mm long	4
JJ	MDFS50W175 50mm dividing fillet 175mm long	4
V	ETL1W633 Sterling lid 633mm long	2

#Please use A or W to denote anodised or white

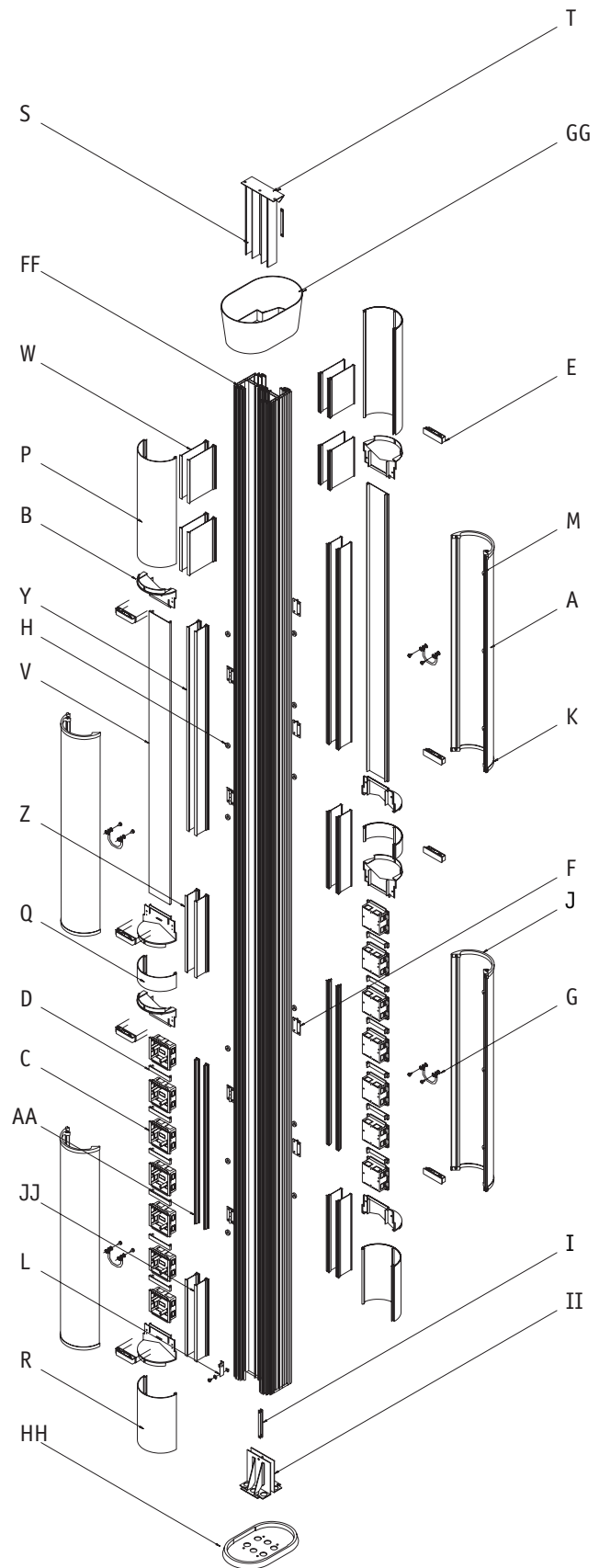
Note: The Sterling PowerPole is suitable for both solid and suspended ceilings up to 3.6 metres high. An alternative adjusting slide which can be extended to one metre is available for additional heights within the ceiling void (*PHAS2).

Full installation instructions are included within each pack.

Dimensions and cable capacities



- A = 1313 sq mm total area
45% space factor = 591 sq mm.
- B = 505 sq mm total area
45% space factor = 227 sq mm.
- C = 1798 sq mm total area
45% space factor = 809 sq mm.
- D = 1628 sq mm total area
45% space factor = 733 sq mm.



Series 2 PowerPole – continued

Single sided PowerPole

with 2 hinged lids and 7 ESSB1 outlets (NPPC3600721)

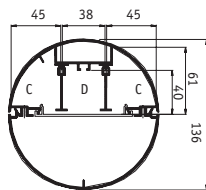
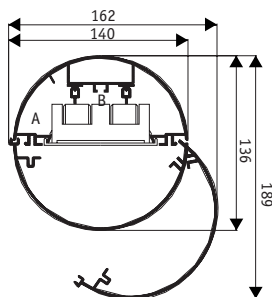
Code	Description	Quantity
BB	NPPB3600 Semi-circular PowerPole base 3600mm	1
A	NPPHLA/W# Hinged lid assembly	2
P	NPPCL1730 Clip on lid 1730mm long	1
Q	NPPCL50 Clip on lid 50mm long	1
R	NPPCL200 Clip on lid 200mm long	1
J	NPPUT Hinged lid upper trim	2
K	NPPLT Hinged lid lower trim	2
O	NPPTC2 Top sliding cover	1
N	NPPBF4 Circular base foot	1
B	NPPBH1 Bulkhead	4
U	PPBF6 Base foot (galvanised)	1
E	NPPCC1 Cable clip	4
C	ESSB1 Single gang box	7
D	ES1 Spacing cover	6
F	NPPH1 Stainless steel hinges	4
I	PPSN1 Sliding nut	2
H	NPPLH1 Disc latch	5
M	NPPMC1 Magnet catch	6
G	NPPLBS1 Hinged lid bonding strap	2
LBS2	Clip on lid bonding strap	3
L	PPBT1 16mm bonding terminal assembly	1
S	*PHAS1 Top adjusting slide 250mm long	1
T	NPPFB2 Top fixing bracket	1
AA	MDFS15W632 15mm dividing fillet 632mm long	2
Z	MDFS50W200 50mm dividing fillet 200mm long	2
Y	MDFS50W710 50mm dividing fillet 710mm long	2
X	MDFS50W145 50mm dividing fillet 145mm long	2
W	MDFS100W1630 100mm dividing fillet 1630mm long	2
V	ETL1W633 Sterling lid 633mm long	1

#Please use A or W to denote anodised or white

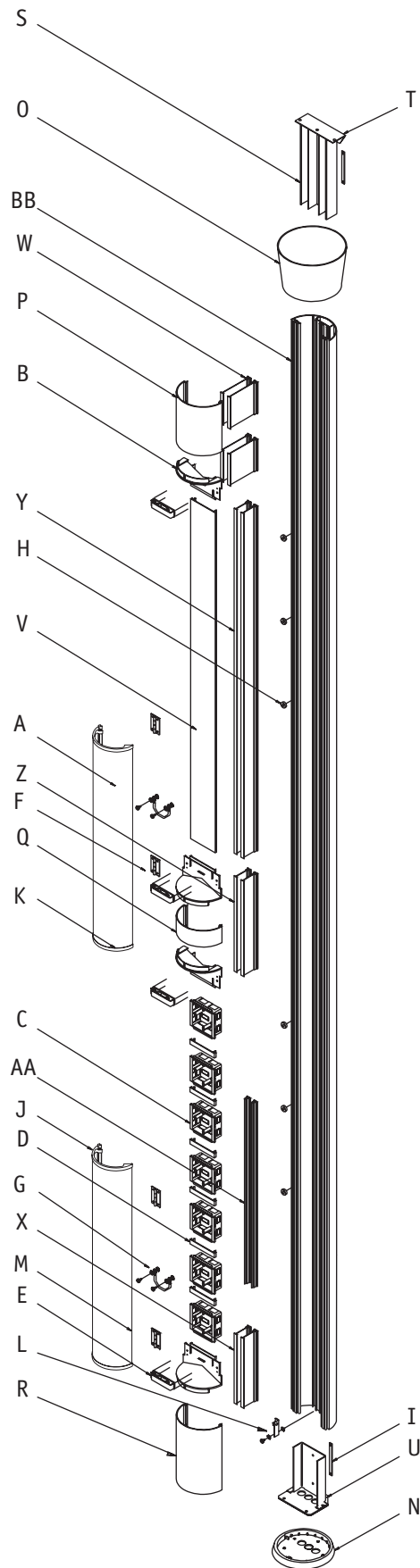
Note: The Sterling PowerPole is suitable for both solid and suspended ceilings up to 3.6 metres high. An alternative adjusting slide which can be extended to one metre is available for additional heights within the ceiling void (*PHAS2).

Full installation instructions are included within each pack.

Dimensions and cable capacities



- A = 1238 sq mm total area
45% space factor = 557 sq mm.
- B = 505 sq mm total area
45% space factor = 227 sq mm.
- C = 1798 sq mm total area
45% space factor = 809 sq mm.
- D = 1628 sq mm total area
45% space factor = 733 sq mm.



TECHNICAL INFORMATION

Double sided PowerPole

Code	Description	Quantity
PP36001	250mm adj. slide incl	1 pack
PP36002	1150mm adj. slide incl	1 pack
A	NPPFB2 Fixing Bracket	1
B	PHAS1/2 *Adjusting Slide	1
C	PPSN1 Sliding Nut	3
D	PPTC1 Top Cover (white only)	1
E	PL1 Lid 3600mm	2
F	PPMB1 Pole 3600mm	1
G	ESSB1 Single Gang Box	6
I	PPBF3 Base Foot (Metal)	1 pair
J	PPBF1 Base Foot (white only)	1
K	ES1 Spacing Cover	5
L	PPBT1 16mm Bonding Terminal Ass.	1
PPF1	#Fixing Kit	1

Accessory Kits

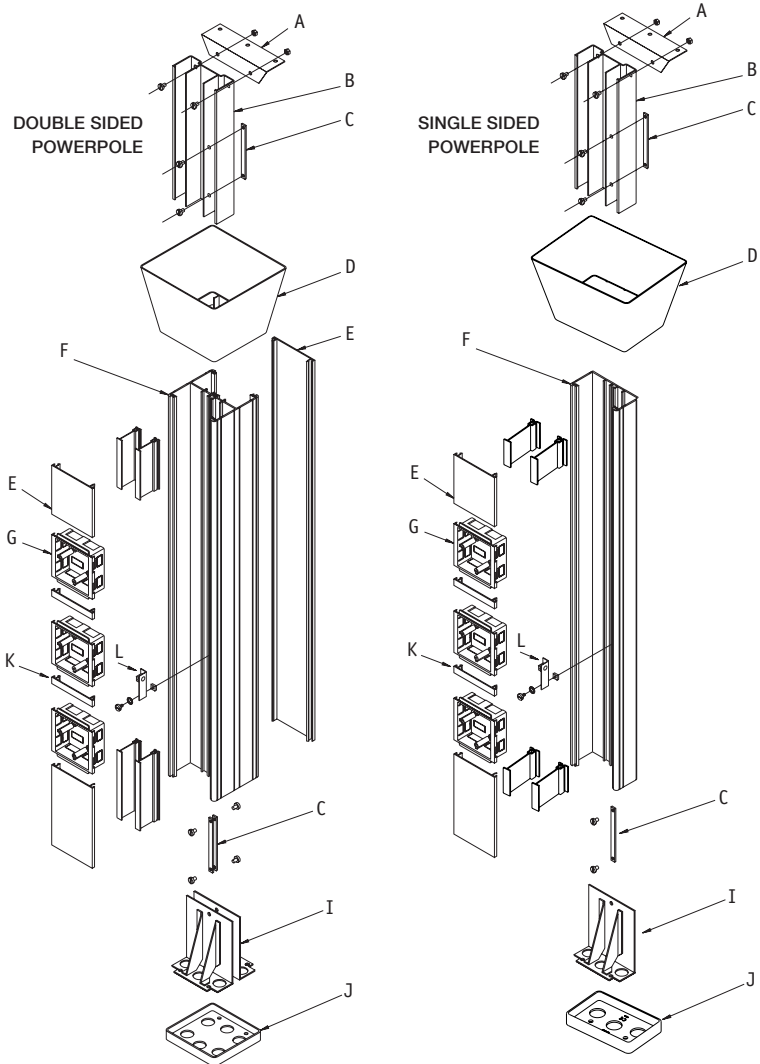
Accessory kits are available to order using the code PPAKIT and include the items within the above table marked in bold text.

*The Sterling PowerPole is suitable for both solid and suspended ceilings up to 3.6 metres high. An alternative adjusting slide which can be extended to one metre is available for additional heights within the ceiling void.

Full installation instructions are included within each pack.

PPF2 Fixing Kit includes the following items:

- 5 x M5x8 slotted pan head steel m/c screws
- 4 x M5 internal tooth steel lock washers
- 1 x M5 Square (8x8x4) pressed steel nut
- 1400mm Extension Pole body kits available to increase Pole height to 5.0m.



Single sided PowerPole

Code	Description	Quantity
PPS36001	250mm adj. slide	1 pack
PPS36002	1150mm adj. slide	1 pack
A	NPPFB2 Fixing Bracket	1
B	PHAS1/2 *Adjusting Slide	1
C	PPSN1 Sliding Nut	3
D	PPTC2 Top Cover (white only)	1
E	PL1 Lid 3600mm	1
F	PPSS1 Single Sided Pole 3600mm	1
G	ESSB1 Single Gang Box	6
I	PPBF3 Base Foot (Metal)	1
J	PPBF4 Base Foot (white only)	1
K	ES1 Spacing Cover	5
L	PPBT1 16mm Bonding Terminal Ass.	1
PPF1	#Fixing Kit	1

Accessory Kits

Accessory kits are available to order using the code PPAKIT and include the items within the above table marked in bold text.

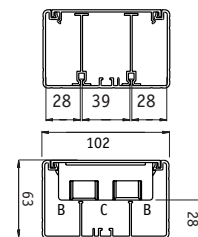
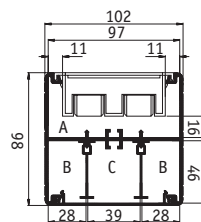
*The Sterling PowerPole is suitable for both solid and suspended ceilings up to 3.6 metres high. An alternative adjusting slide which can be extended to one metre is available for additional heights within the ceiling void.

Full installation instructions are included within each pack.

PPF2 Fixing Kit includes the following items:

- 5 x M5x8 slotted pan head steel m/c screws
- 4 x M5 internal tooth steel lock washers
- 1 x M5 Square (8x8x4) pressed steel nut
- 1400mm Extension Pole body kits available to increase Pole height to 5.0m.

Dimensions and cable capacities



Double sided PowerPole

A = 2017 sq mm total area 45% space factor = 907 sq mm.

Without Accessory Box

A = 4284 sq mm total area 45% space factor = 1927 sq mm.

B = 1148 sq mm total area 45% space factor = 516 sq mm.

C = 1547 sq mm total area 45% space factor = 696 sq mm.

Single sided PowerPole

B = 1115 sq mm total area 45% space factor = 502 sq mm.

C = 1119 sq mm total area 45% space factor = 504 sq mm.

Double sided PowerPost

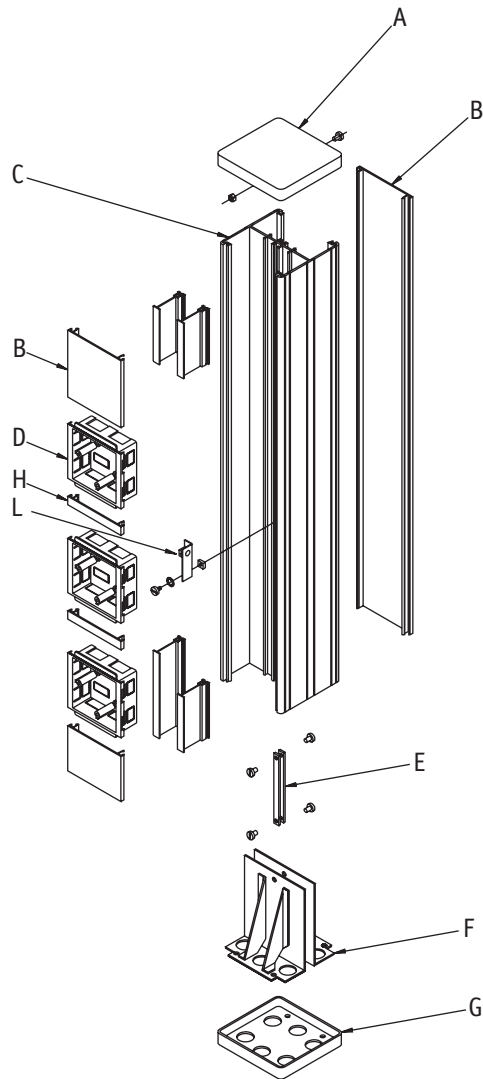
Code	Description	Quantity
PP685		1 pack
A	PPC1 Cap	1
B	PL2 Lid	2
C	PPMB2 Post	1
D	ESSB1 Single Gang Box	6
E	PPSN1 Sliding Nut	2
F	PPBF3 Base Foot (Metal)	1 pair
G	PPBF1 Base Foot (white only)	1
H	ES1 Spacing Cover	5
L	PPBT1 16mm Bonding Terminal Ass.	1
PPF2	#Fixing Kit	1

The standard height of the PowerPost is 685mm and the overall height, including cap and base, is 692mm.

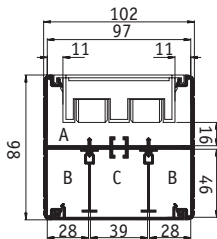
Full installation instructions are included within each pack.

#PPF2 Fixing Kit includes the following items:

- 5 x M5x8 slotted pan head steel m/c screws
- 4 x M5 internal tooth steel lock washers
- 1 x M5 Square (8x8x4) pressed steel nut



Dimensions and cable capacities



A = 2017 sq mm total area
45% space factor = 907 sq mm.

Without Accessory Box

A = 4284 sq mm total area
45% space factor = 1927 sq mm.

B = 1148 sq mm total area
45% space factor = 516 sq mm.

C = 1547 sq mm total area
45% space factor = 696 sq mm.

Double sided PowerPost

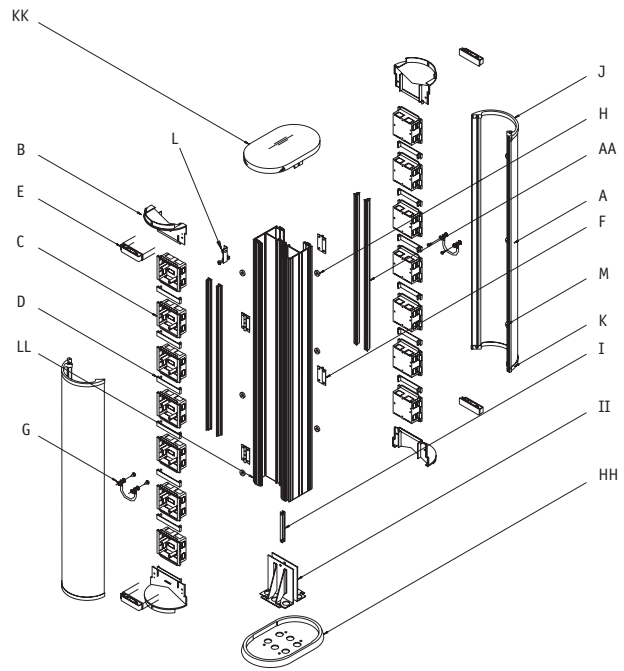
with 2 hinged lids and 14 ESSB1 outlets (NPPE811142)

Code	Description	Quantity
LL	NPPMB811 Square PowerPost base 811mm long	1
A	NPPHLA/W# Hinged lid assembly	2
J	NPPUT Hinged lid upper trim	2
K	NPPLT Hinged lid lower trim	2
KK	NPPC3 Oval Top cap	1
HH	NPPBF5 Oval base	1
B	NPPBH1 Bulkhead	4
C	ESSB1 Single gang box	14
D	ES1 Spacing cover	12
II	PPBF3 Base foot (galvanised)	2
E	NPPCC1 Cable clip	4
AA	MDFS15W632 Dividing fillet 632mm long	4
F	NPPLH1 Stainless steel hinges	4
L	PPBT1 16mm bonding terminal assembly	1
G	NPPLBS1 Hinged lid bonding strap	2
H	NPPLH1 Disc latch	6
M	NPPMC1 Magnet catch	6
I	PPSN1 Sliding nut	2

#Please use A or W to denote anodised or white

Overall height 838mm.

Full installation instructions are included within each pack.



Single sided PowerPost

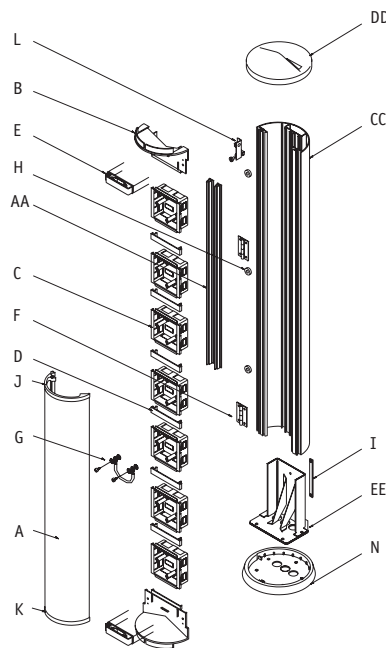
with 1 hinged lid and 7 ESSB1 outlets (NPPC80671)

Code	Description	Quantity
CC	NPPB806 Semi-circular PowerPost base 806mm	1
A	NPPHLA/W# Hinged lid assembly	1
J	NPPUT Hinged lid upper trim	1
K	NPPLT Hinged lid lower trim	1
DD	NPPC2 Top cap	1
EE	NPPBF7 Circular post base foot (galvanised)	1
N	NPPBF4 Circular base foot	1
B	NPPBH1 Bulkhead	2
E	NPPCC1 Cable clip	2
D	ES1 Spacing cover	6
C	ESSB1 Single gang box	7
AA	MDFS15W632 Dividing fillet 632mm	2
H	NPPLH1 Disc latch	3
M	NPPMC1 Magnet catch	3
F	NPPH1 Stainless steel hinges	2
G	NPPLBS1 Hinged lid bonding strap	1
L	PPBT1 16mm bonding terminal assembly	1
I	PPSN1 Sliding nut	1

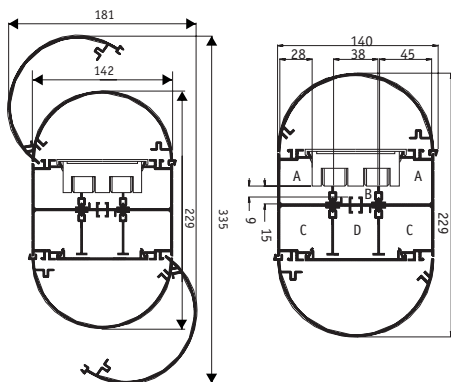
#Please use A or W to denote anodised or white

Overall height 838mm.

Full installation instructions are included within each pack.



Dimensions and cable capacities



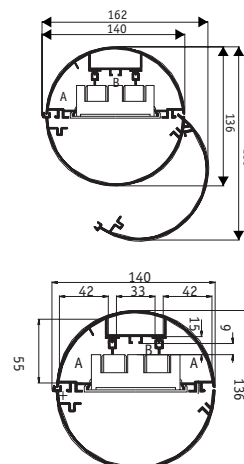
Double sided PowerPost

A = 1313 sq mm total area 45% space factor = 591 sq mm.

B = 505 sq mm total area 45% space factor = 227 sq mm.

C = 1798 sq mm total area 45% space factor = 809 sq mm.

D = 1628 sq mm total area 45% space factor = 733 sq mm.



Single sided PowerPost

A = 1238 sq mm total area 45% space factor = 557 sq mm.

B = 505 sq mm total area 45% space factor = 227 sq mm.